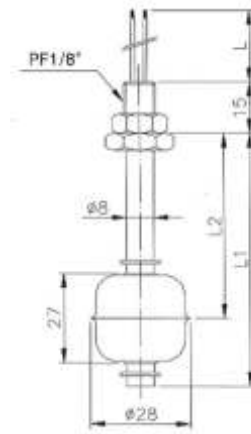




CFR-5H-1F



Model		CFR-5H-1F
Pressure		20 kgf/mm ²
Temperature		100°C
Materials	Stem	SUS 304
	Float	SUS 316
Switching current		AC220V, 1A
Applications		Water, Oil, Medical liquid



CFR-7H-1F

Model		CFR-7H-1F
Pressure		10 kgf/mm ²
Temperature		100°C
Materials	Stem	SUS 304
	Float	SUS 304
Switching current		AC220V, 3A
Applications		Water, Oil, Medical liquid



CFR-7HNS-1

Model		CFR-7HNS-1
Pressure		10 kgf/mm ²
Temperature		200°C
Materials	Stem	SUS 304
	Float	SUS 304
Switching current		AC220V, 1A
Applications		Water, Oil, Medical liquid



CFR-7HNS-2

Model		CFR-7HNS-2
Pressure		10 kgf/mm ²
Temperature		200°C
Materials	Stem	SUS 304
	Float	SUS 304
Switching current		AC220V, 1A
Applications		Water, Oil, Medical liquid



CFR-7HPS-1

Model		CFR-7HPS-1
Pressure		0.5 kgf/mm ²
Temperature		80°C
Materials	Stem	P.P.
	Float	P.P.
Switching current		AC220V,1A
Applications		Water

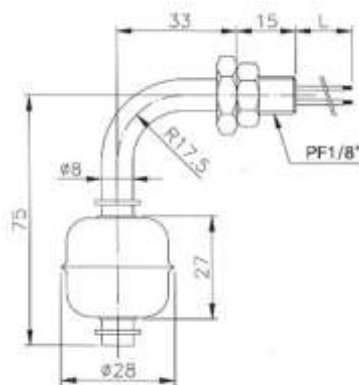


CFR-7HPS-2

Model		CFR-7HPS-2
Pressure		0.5 kgf/mm ²
Temperature		80°C
Materials	Stem	P.P.
	Float	P.P.
Switching current		AC220V,1A
Applications		Water



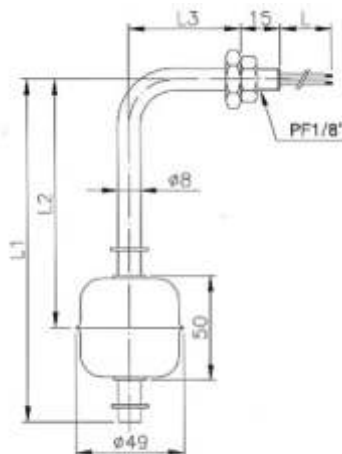
CFR-5L-1F



Model		CFR-5L-1F
Pressure		20 kgf/mm ²
Temperature		100°C
Materials	Stem	SUS 304
	Float	SUS 316
Switching current		AC220V,1A
Applications		Water, Oil, Medical liquid



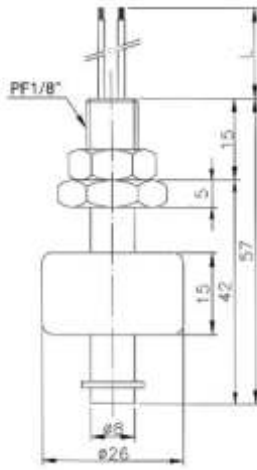
CFR-50L-1F



Model		CFR-50L-1F
Pressure		10 kgf/mm ²
Temperature		100°C
Materials	Stem	SUS 304
	Float	SUS 304
Switching current		AC220V,1A
Applications		Water, Oil, Medical liquid



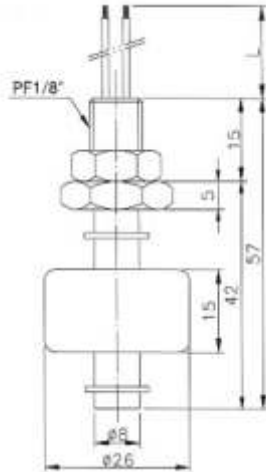
CFR-2A-1F



Model		CFR-2A-1F
Pressure		5 kgf/mm ²
Temperature		90°C
Materials	Stem	P.C.
	Float	NBR
Switching current		AC220V, 1A
Applications		Water, Oil



CFR-4A-1F



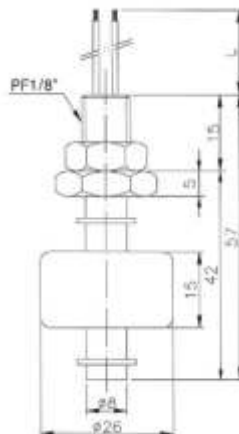
Model		CFR-4A-1F
Pressure		5 kgf/mm ²
Temperature		90°C
Materials	Stem	P.C.
	Float	NBR
Switching current		AC220V, 1A
Applications		Water, Oil



CFR-8A-1F

Model		CFR-8A-1F
Pressure		10 kgf/mm ²
Temperature		90°C
Materials	Stem	SUS 304
	Float	NBR
Switching current		AC220V, 1A
Applications		Water, Oil

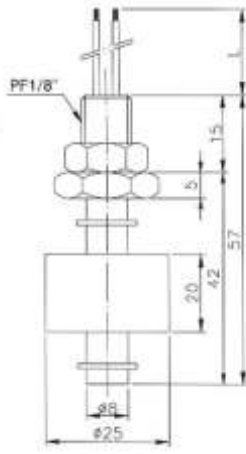
CFR-2B-1F



Model		CFR-2B-1F
Pressure		10 kgf/mm ²
Temperature		90°C
Materials	Stem	Brass
	Float	NBR
Switching current		AC220V, 1A
Applications		Water, Oil



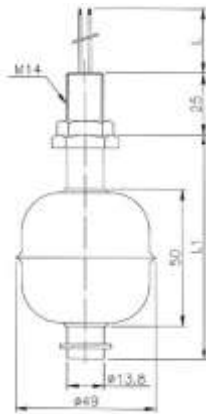
CFR-2C-1F



Model		CFR-2C-1F
Pressure		0.5 kgf/mm ²
Temperature		90°C
Materials	Stem	SUS 304
	Float	P.P.
Switching current		AC220V, 1A
Applications		Water, Oil



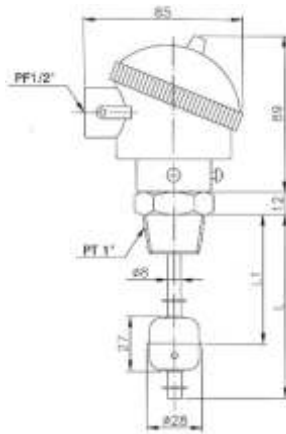
CFR-9E-1F



Model		CFR-9E-1F
Pressure		10 kgf/mm ²
Temperature		120°C
Materials	Stem	SUS 304
	Float	SUS 304
Switching current		AC220V, 3A
Applications		Water, Oil, Medical liquids



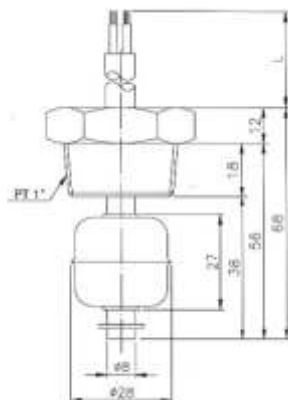
CFR-3G-1F



Model		CFR-3G-1F
Pressure		20 kgf/mm ²
Temperature		100°C
Materials	Stem	SUS 304
	Float	SUS 316
		Head ADC12
Switching current		AC220V, 1A
Applications		Water, Oil

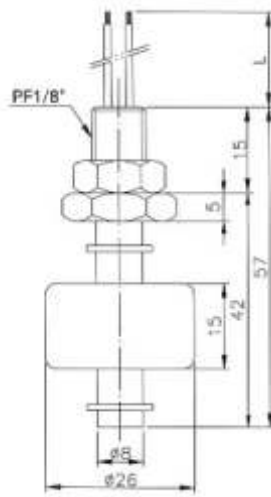


CFR-5G-1F



Model		CFR-5G-1F
Pressure		20 kgf/mm ²
Temperature		100°C
Materials	Stem	SUS 304
	Float	SUS 316
Switching current		AC220V, 1A
Applications		Water, Oil

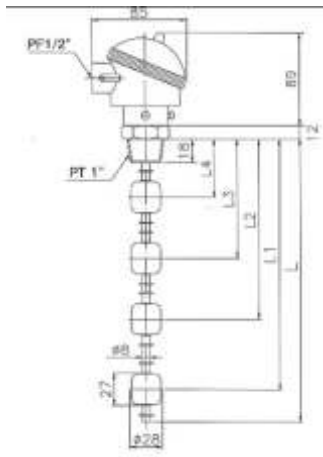
CFR-2S-1F



Model		CFR-2S-1F
Pressure		10 kgf/mm ²
Temperature		90°C
Materials	Stem	SUS 304
	Float	NBR
Switching current		AC220V, 1A
Applications		Water, Oil



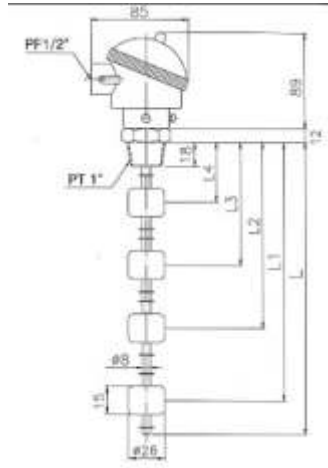
CFR-3G-4F



Model		CFR-3G-4F
Pressure		20 kgf/mm ²
Temperature		100°C
Materials	Stem	SUS 304
	Float	SUS 316
Head		ADC12
Switching current		AC220V, 1A
Applications		Water, Oil, Medical liquid



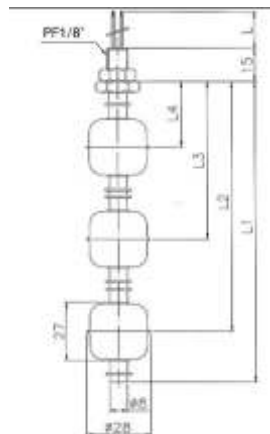
CFR-3H-4F



Model		CFR-3H-4F
Pressure		10 kgf/mm ²
Temperature		90°C
Materials	Stem	SUS 304
	Float	NBR
Head		ADC12
Switching current		AC220V, 1A
Applications		Water, Oil,



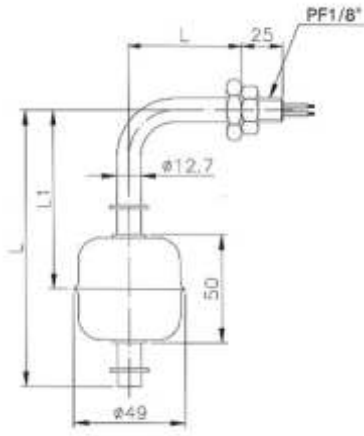
CFR-5H-3F



Model		CFR-5H-3F
Pressure		20 kgf/mm ²
Temperature		100°C
Materials	Stem	SUS 304
	Float	SUS 316
Switching current		AC220V, 1A
Applications		Water, Oil, Medical liquid



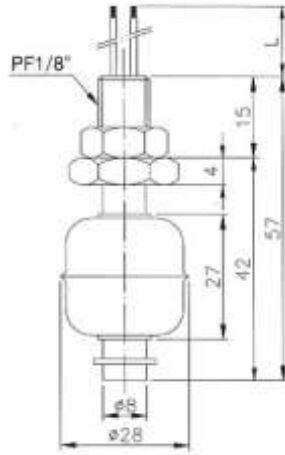
CFR-11L-1F



Model		CFR-11L-1F
Pressure		10 kgf/mm ²
Temperature		100°C
Materials	Stem	SUS 304
	Float	SUS 304
Switching current		AC220V, 1A
Applications		Water, Oil, Medical liquid



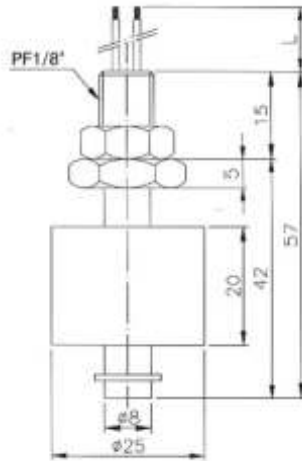
CFR-6P-1F



Model		CFR-6P-1F
Pressure		5 kgf/mm ²
Temperature		90°C
Materials	Stem	P.C.
	Float	SUS 316
Switching current		AC220V, 1A
Applications		Water, Oil



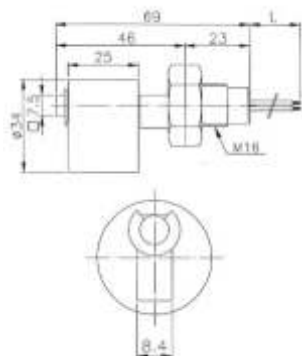
CFR-11P-1F



Model		CFR-11P-1F
Pressure		0.5 kgf/mm ²
Temperature		90°C
Materials	Stem	P.C./ P.P.
	Float	P.P.
Switching current		AC220V, 1A
Applications		Water



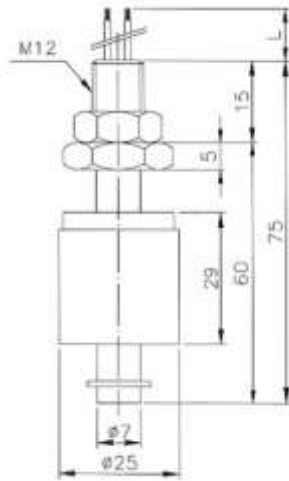
CFR-22P-1F



Model		CFR-22P-1F
Pressure		0.5 kgf/mm ²
Temperature		90°C
Materials	Stem	P.P.
	Float	P.P.
Switching current		AC220V, 1A
Applications		Water



CFR-11T-1F



Model		CFR-11T-1F
Pressure		2 kgf/mm ²
Temperature		80°C
Materials	Stem	PTFE
	Float	PTFE
Switching current		AC220V, 1A
Applications		Water, Oil, Medical liquid

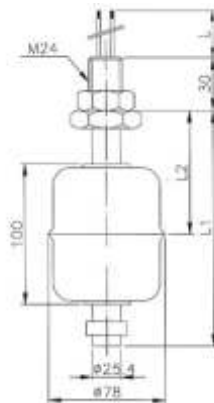


CFR-10A-1F

Model		CFR-10A-1F
Pressure		10 kgf/mm ²
Temperature		90°C
Materials	Stem	SUS 304
	Float	NBR
Switching current		AC220V, 1A
Applications		Water, Oil



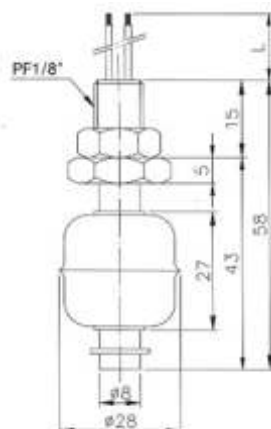
CFR-10S-1FB



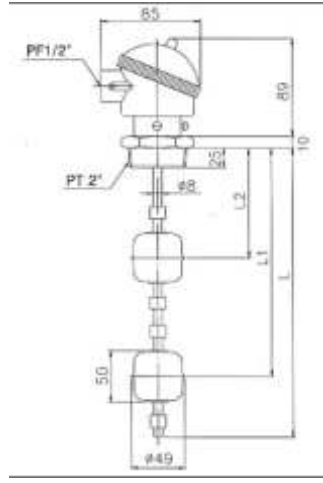
Model		CFR-10S-1FB
Pressure		5 kgf/mm ²
Temperature		120°C
Materials	Stem	SUS 304
	Float	SUS 304
Switching current		AC220V, 3A
Applications		Water, Oil, Medical liquid



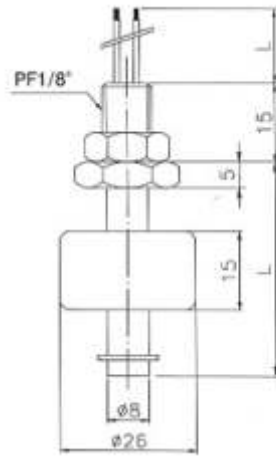
CFR-5H-1F(STD.)



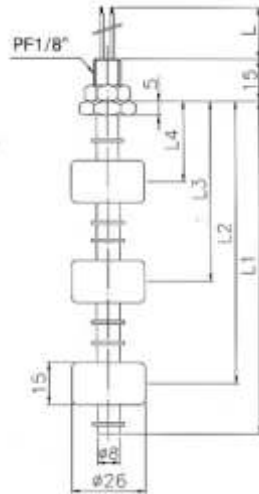
Model		CFR-5H-1F(STD.)
Pressure		20 kgf/mm ²
Temperature		100°C
Materials	Stem	SUS 304
	Float	SUS 316
Switching current		AC220V, 1A
Applications		Water, Oil, Medical liquid



Model		CFR-10H-2F
Pressure		10 kgf/mm ²
Temperature		100°C
Materials	Stem	SUS 304
	Float	SUS 304
	Head	ADC12
Switching current		AC220V, 1A
Applications		Water, Oil, Medical liquid



Model		CFR-2L-1F-7P
Pressure		10 kgf/mm ²
Temperature		90°C
Materials	Stem	SUS 304
	Float	NBR
Switching current		AC220V, 1A
Applications		Water, Oil



Model		CFR-2L-3F
Pressure		10 kgf/mm ²
Temperature		90°C
Materials	Stem	SUS 304
	Float	NBR
Switching current		AC220V, 1A
Applications		Water, Oil