

MFS2000

Electromagnetic Flowmeter



가



- , , .
-
-
-
-
- Dosing & Batching

MFT100

cut off

AC220V 60Hz , DC24V
 $\pm 0.5\%$ of actual flow
0.1 - 10 m/s
Min. 5 micro S/cm
Bi-direction
3 lines 16 characters LCD, backlit, actual flow, totalizer, status
flow velocity, percentage , time
3 buttons
RS232 or RS485 for measuring values
4-20mA, max. 750 ohms
Active / Passive
Max. 5 kHz
High / Low alarms
0-20%
Aluminium die cast
IP65 Standard, IP67 Option
4 x M20
-20°C to +60°C

Electromagnetic Flow Sensor MFS2000

Nominal flange pressure

DN10-150	PN10/16/40	Standard	
DN200-1000	PN10	Standard	PN16 Option
DN1200-2000	PN6	Standard	PN10 Option
3/8" - 24" ANSI 150#	RF	Standard	ANSI 300# RF Option
10A - 1000A	JIS 10K	Standard	JIS 20K Option

Liner

PTFE	DN10-DN600
Polyurethane	DN20-DN600
Hardrubber	DN40-DN2000

Electrodes

Standard	Stainless steel 316L
Option	Hastelloy C4, Titanium, Tantalum, Platinum

Grounding rings

Option	Stainless steel 316L, Hastelloy C4
--------	------------------------------------

Flanges

Standard	St-37
Option	Stainless steel 304, Stainless steel 316L

Measuring tube

Stainless steel 304

Protection

Standard	IP65
Option	IP67 / 68

Electrical conductivity

Non-water	Min. 5 micro S/cm
Water	Min. 20 micro S/cm

Signal cable

Standard	10m
Option	50m

Explosion proof ExmIIT4, ExmdIIBT4

Temperature range

Flow sensor	Process	Ambient	Compact flowmeter	Process	Ambient
PTFE	-10 to +180°C	-25 to +60°C	With MFT 100	-10 to +120°C	-25 to +60°C
Polyurethane	-10 to +80°C	-25 to +60°C		-10 to +80°C	-25 to +60°C
Hardrubber	-10 to +80°C	-25 to +60°C		-10 to +80°C	-25 to +60°C

Maximum pressure

PTFE	DN10-150	40 bar	DN200-600	16 bar
Polyurethane	DN20-150	40 bar	DN200-600	16 bar
Hardrubber	DN40-150	40 bar	DN200-1000	16 bar
	DN1200-2000	10 bar		

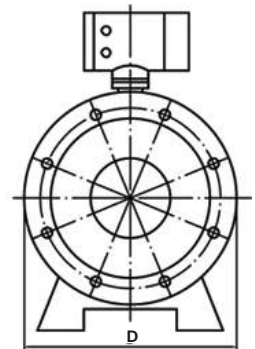
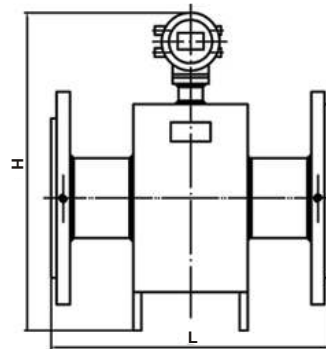
유속 / 유량 비교표

유속 m / s 유량 m ³ / h 사이즈 mm	유속 / 유량 비교표						
	0.01 (최소)	1	2	3	4	5	15 (최대)
15	0.0064	0.6362	1.2723	1.9085	2.5447	3.1809	9.5426
20	0.0113	1.1310	2.2619	3.3929	4.5239	5.6549	16.9646
25	0.0177	1.7671	3.5343	5.3014	7.0686	8.8357	26.5072
40	0.0452	4.5239	9.0478	13.5717	18.0956	22.6195	67.8584
50	0.0707	7.0686	14.1372	21.2058	28.2743	35.3429	106.0288
65	0.1195	11.9459	23.8918	35.8377	47.7836	59.7295	179.1886
80	0.1810	18.0956	36.1911	54.2867	72.3823	90.4779	271.4336
100	0.2827	28.2743	56.5487	84.8230	113.0973	141.3717	424.1150
150	0.6362	63.6173	127.2345	190.8518	254.4690	318.0863	954.2588
200	1.1310	113.0973	226.1947	339.2920	452.3893	565.4867	1696.4600
250	1.7671	176.7146	353.4292	530.1438	706.8583	883.5729	2650.7188
300	2.5447	254.4690	508.9380	763.4070	1017.8760	1272.3450	3817.0351
350	3.4636	346.3606	692.7212	1039.0818	1385.4424	1731.8030	5195.4089
400	4.5239	452.3893	904.7787	1357.1680	1809.5574	2261.9467	6785.8401
450	5.7256	572.5553	1145.1105	1717.6658	2290.2210	2862.7763	8588.3289
500	7.0686	706.8583	1413.7167	2120.5750	2827.4334	3534.2917	10602.8752
600	10.1788	1017.8760	2035.7520	3053.6281	4071.5041	5089.3801	15268.1403
700	13.8544	1385.4424	2770.8847	4165.3271	5541.7694	6927.2118	20781.6354
800	18.0956	1809.5574	3619.1147	5428.6721	7238.2295	9047.7868	27143.3605
900	22.9022	2290.2210	4580.4421	6870.6631	9160.8842	11451.1052	34353.3157
1000	28.2743	2827.4334	5654.8668	8482.3002	11309.7336	14137.1669	42411.5008
1200	40.7150	4071.5041	8143.0082	12214.5122	16286.0163	20357.5204	61072.5612
1400	55.4177	5541.7694	11083.5389	16625.3083	22167.0778	27708.8472	83126.5416
1600	72.3823	7238.2295	14476.4589	21714.6884	28952.9179	36191.1474	108573.4421
1800	91.6088	9160.8842	18321.7684	27482.6525	36643.5367	45804.4209	137413.2627
2000	113.0973	11309.7336	22619.4671	33929.2007	45238.9342	56548.6678	169646.0033
2200	136.8478	13684.7776	27369.5552	41054.3328	54739.1104	68423.8880	205217.6640
2400	162.8602	16286.0163	32572.0326	48858.0490	65144.0653	81430.0816	244290.2448
2600	191.1343	19113.4268	38226.8536	57340.2804	76453.7072	95567.1340	286701.4020

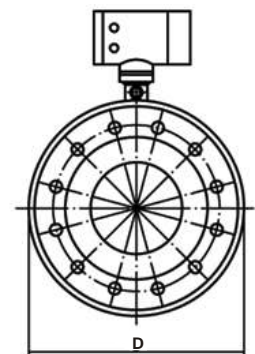
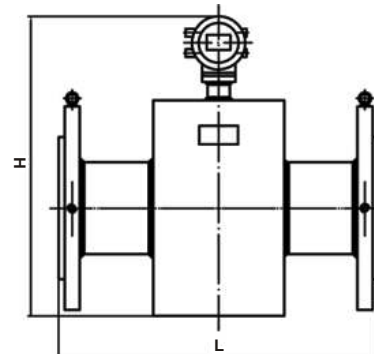
Compact System MFS2000/MFT100C

()

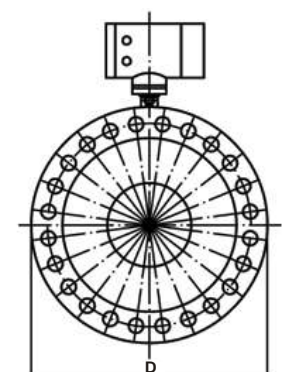
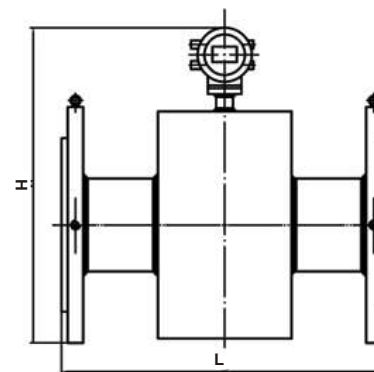
Nominal size		Dimensions(mm)			weight
DN	PN	L	H	D	in
mm	bar	mm	mm	mm	kg
10	40	160	275	100	10
15	40	200	285	108	10
20	40	200	295	116	12
25	40	200	305	121	14
32	40	200	315	140	15
40	40	200	324	150	16
50	40	200	324	165	17
65	40	250	365	185	25
80	40	250	380	200	30
100	40	250	395	235	32
125	40	300	445	270	40
150	40	300	470	300	42
200	16	350	466	316	59
250	16	450	516	366	75
300	16	500	576	426	102
350	16	550	626	476	136
400	16	600	682	532	174
450	16	600	732	582	209
500	16	600	782	632	243
600	16	600	886	736	411
700	10	700	1031	910	422
800	10	800	1138	1025	543
900	10	900	1238	1125	670
1000	10	1000	1353	1255	860
1200	6	1200	1528	1405	992
1400	6	1400	1741	1630	1364
1600	6	1600	1965	1830	1756
1800	6	1800	2175	2045	1892
2000	6	2000	2385	2265	2107



DN 10-150A



DN 200-600A

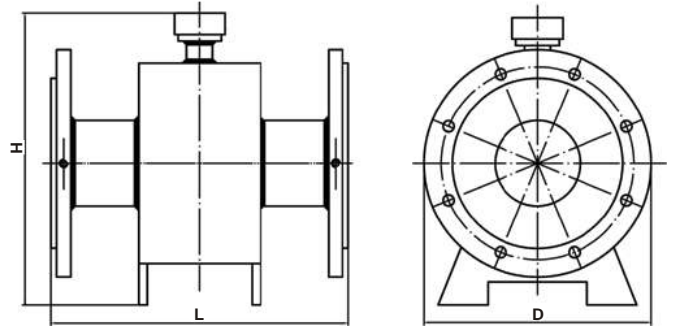


DN 700-2000A

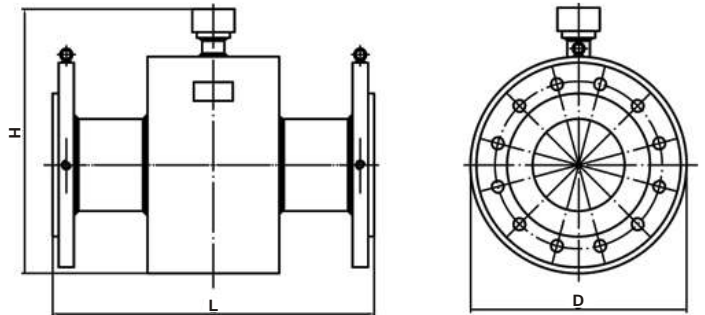
Remote System MFS2000/MFT100R

()

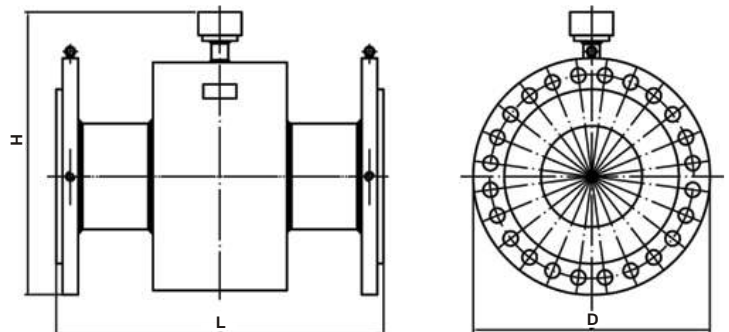
Nominal size		Dimensions(mm)			weight
DN	PN	L	H	D	in
mm	bar	mm	mm	mm	kg
10	40	160	221	100	8
15	40	200	231	108	8
20	40	200	241	116	10
25	40	200	251	121	12
32	40	200	261	140	13
40	40	200	270	150	14
50	40	200	270	165	15
65	40	250	311	185	23
80	40	250	326	200	28
100	40	250	341	235	30
125	40	300	391	270	38
150	40	300	416	300	40
200	16	350	412	316	57
250	16	450	462	366	73
300	16	500	522	426	100
350	16	550	572	476	134
400	16	600	628	532	172
450	16	600	678	582	207
500	16	600	728	632	241
600	16	600	832	736	409
700	10	700	977	910	420
800	10	800	1084	1025	541
900	10	900	1184	1125	668
1000	10	1000	1299	1255	858
1200	6	1200	1474	1405	990
1400	6	1400	1687	1630	1362
1600	6	1600	1911	1830	1754
1800	6	1800	2121	2045	1890
2000	6	2000	2331	2265	2105



DN 10-150A



DN 200-600A



DN 700-2000A

Electromagnetic Flowmeter Sensor Ordering Code

MFS 2000-□□□□□□□□□□

Nominal Diameter										
Nominal diameter *										
Nominal Pressure										
PN6	1									
PN10	2									
PN16	3									
PN40	4									
ANSI 150lb RF	5									
ANSI 300lb RF	6									
JIS 10K RF	7									
JIS 20K RF	8									
System Design										
Compact		1								
Remote		2								
Converter Model										
MFT 100C			1							
MFT 100R			2							
Lining										
PTFE				1						
PFA				2						
Hard rubber				3						
Soft rubber				4						
Neoprene				5						
Electrodes										
SS 316 L					0					
Hastelloy C4					1					
Tantalum					2					
Titanium					3					
Platinum					4					
Flange Material										
St 37- C22/ A105						0				
SS 304						1				
SS 316L						2				
Protection Class										
IP65							0			
IP68							1			
Cable Length										
Compact								0		
10 m								1		
20 m								2		
30 m								3		
50 m								5		
Special										
None									0	
Grounding electrode									1	
Grounding ring									2	

Nominal diameter *	
mm	Code
15	150
20	200
25	250
32	320
40	400
50	500
65	650
80	800
100	101
125	125
150	151
200	201
250	251
300	301
350	351
400	401
450	451
500	501
600	601
700	701
750	751
800	801
900	901
1000	112
1100	122
1400	142
1500	152
1600	162
1800	182
2000	202
2200	222
2400	242
2600	262
2800	282
3000	302

Electromagnetic Flowmeter Signal Converter Ordering Code

MFT 100

Type

- Compact (circle shape)
- Remote (square shape)

C
R

Power

- AC 220V 60Hz
- AC110V 60Hz
- DC 24V

A
B
C

Output

- DC 4-20mA/ Pulse
- DC 4-20mA/ Pulse /RS232
- DC 4-20mA/ Pulse /RS485

A
B
C

Electrical connection

- G 1/2"
- 1/2" NPT

A
B

Protection class

- IP 65
- IP 67

A
B



()

가 426-5

2 706

TEL : (02)2025-8188 FAX : (02)2025-8187

www.cdikorea.com e-mail : cdi@cdinstech.com