

We provide your solutions



PUMP MONITORING UNIT

MAPE-1

MAPE-1



PUMP TEMP, HUMIDITY, PRESSURE MONITORING UNIT

MAPE - 1 MICRO PROCESSOR

General Specification

- Mounting : Panel mount type
- Wiring : M3.5 Screw terminal
- Case : Aluminum die casting
- Case size : 158(W) x 63(H) x 160(D) x 2(T)mm
- Front & rear panel : AL engraving
- Panel size : 168(W) x 69(H) x 2.5(T)mm
- Front sheet : PC silk screen
- Installation bracket : 2T stainless steel

Input

- Thermal protector (Bi-metal type)
: Dry contact
- Pt 100ohm (DIN 2-wire sensor)
 1. Winding temperature 3 point (R.S.T)
 2. Bearing temperature 2 point (H,L)
- Electrode sensor
 1. Leakage detector 1 point
 2. Moisture detector 1 point
- Pressure switch : Dry contact

Output

- Analog : 4-20mA
- Dry contact : Alarm
- Contact type : Normal open
- Contact capacity : 5A/250VAC
- Display : 5 CH Temperature
- Display range : 0-250°C
- Display selection : TP R-S-T
BS H-L
- Selection indicator : 3Ø Green LED
- Alarm indicator : 3Ø Red LED

Installation

- Operating temperature : -5°C - 60°C
- Operating humidity : 90%RH Max
(non condensing)
- Power supply
AC : 95-240VAC 50-60Hz approx 5VA
- Mounting : Panel Type
- Insulation resistance : 100Mohm or more
with 500VDC (Input/Output/Power)
- Dielectric strength : 1500VAC at 1 Minute
(Input to Output to Power)

Function

- 5 CH 0.56 Inch FND Display
(TP-R,S,T. BS-H,L)
- Display selection indicator 5 point
- Alarm indicator 5 point
- Upkeep alarm
- Reset alarm
- Alarm sound : Buzzer inside
- 8 Bit micro processor
- Input to CPU isolated
- Temperature Alarm setting : 0-250°C
- Rotative temperature value display
(TP-R,S,T. BS-H,L)
- Setting key (SET, RESET, UP, DOWN)
- Pt 100ohm Input with noise filter
- Input delay time on CPU program for protect inverter noise
- 9 Set mode selectable input
 - SET1 : TP-B. BS-L
 - SET2 : TP-B. BS-H,L
 - SET3 : TP-R. BS-L
 - SET4 : TP-R. BS-H,L
 - SET5 : TP-R,S,T. BS-L
 - SET6 : TP-R,S,T. BS-H
 - SET7 : TP-R,S,T. BS-H,L
 - SET8 : TP-R,S,T
 - SET9 : BS-L
- 5 Point Selection Indication LED
- 5 Point Alarm Indication LED

We provide your solutions

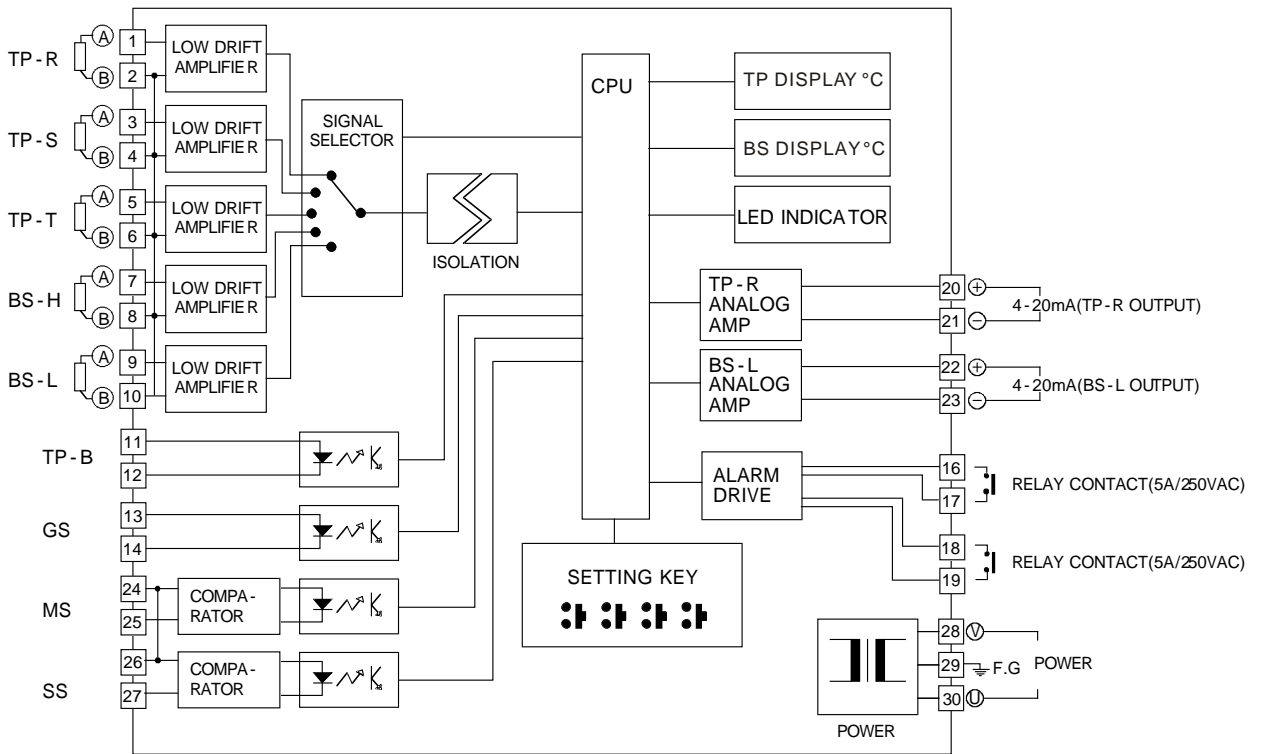


MAPE-1

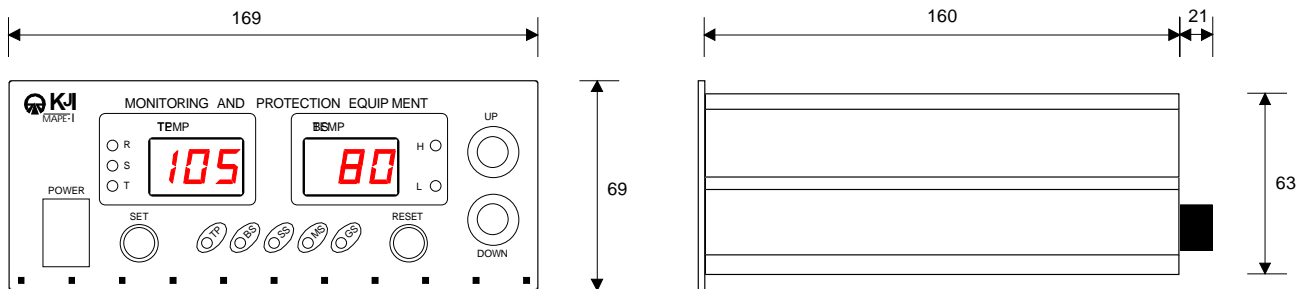
PUMP MONITORING UNIT

MAPE-1

Connection Block Diagram



Dimension



Panel Cutout

