

We provide your solutions

CDI-SA

STANDARD(SIGNAL LINE USE)ARRESTER CDI-SA



FEATURES

Small size(mm) :
99.15(H),25(W),61.1(D)
Case & color :
Black ABS plastic case

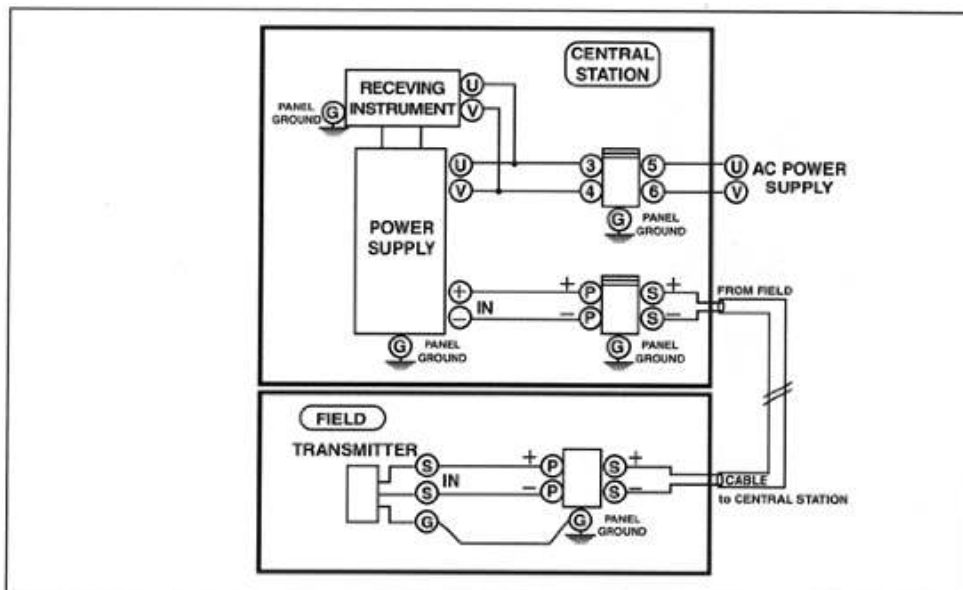
INSTALLATION

Operating temperature :
-5~+55°C
Operating humidity :
90% RH max.(non condensing)
Mounting : channel mount

MODEL & SPECIFICATION CODE

- **Model : CDI-SA**
- **Discharge Voltage**
btwn lines : 30V or more
btwn line & gnd : 500V or less
- **Max. Surge Voltage**
40V or less (btwn lines)
- **Response Time : 0.1 microseconds or less**
- **Discharge current : 10,000A(8x20 microseconds)**
- **Max. Load Current : 100mA**
- **Internal Series Resistance : Approx. 20 ohm (Including return)**
- **Permissible Leakage Current**
btwn line : 5μA or less (at 30V DC)
btwn line & gnd : 5 A or less (at 140V DC)
- **Capacity Btwn Lines : 1μF**
- **Max. Line Voltage : 30V**

CONNECTION DIAGRAM

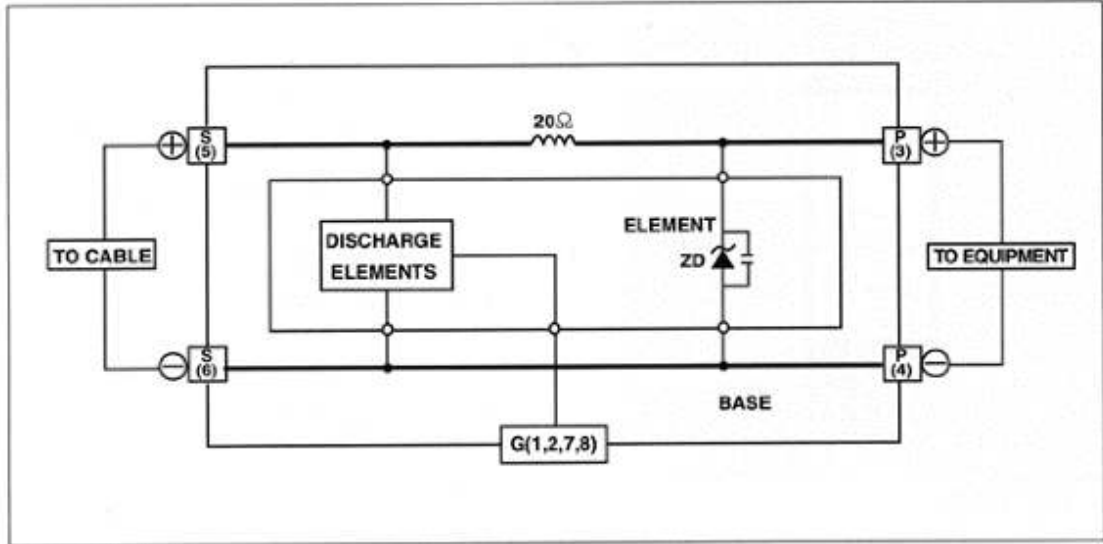


We provide your solutions

STANDARD(SIGNAL LINE USE) ARRESTER CDI-SA



SCHEMATIC CIRCUIT & CONNECTION



TERMINAL ASSIGNMENT

