

We provide your solutions



CDI-PA

STANDARD(AC/DC POWER LINE USE)ARRESTER CDI-PA



FEATURES

Small size(mm) :
99.15(H),25(W),61.1(D)
Case & color :
Black ABS plastic case

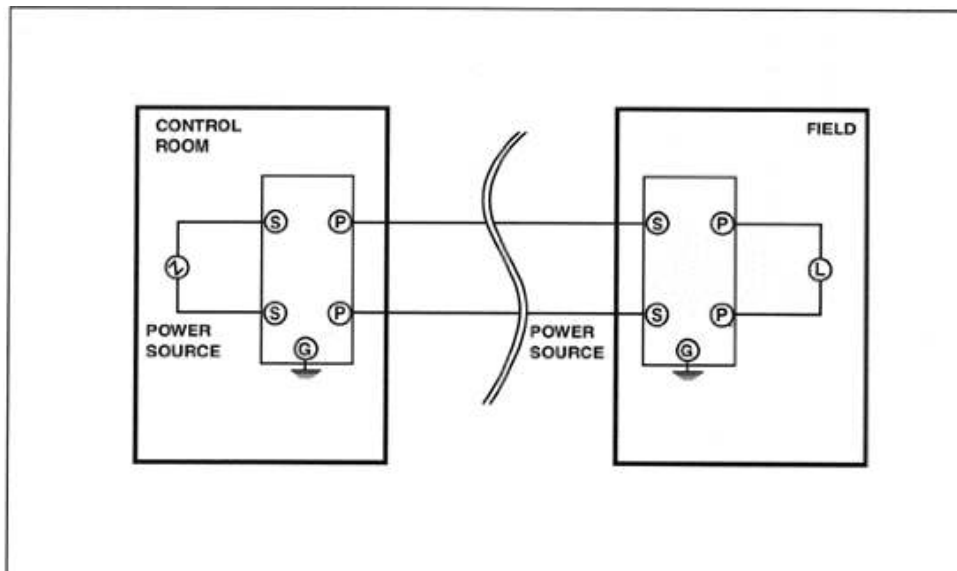
INSTALLATION

Operating temperature :
-5~+55°C
Operating humidity :
90% RH max.(non condensing)
Mounting : channel mount

MODEL & SPECIFICATION CODE

- **Model : CDI-PA**
- **Discharge Voltage**
btwn lines : 190V or more (peak) → PA-100
410V or more (peak) → PA-200
btwn line & gnd : 410V or more (peak)
- **Max. Surge Voltage**
btwn lines : 400V or less → PA-100
800V or less → PA-200
btwn line & gnd : 800V or less
- **Response Time : 0.1 microseconds or less**
- **Discharge current : 10,000A(8x20 microseconds)**
- **Max. Load Current : 2.0A**
- **Internal Series Resistance : Approx. 0.4 ohm**
- **Permissible Leakage Current**
btwn line : 0.1mA or less (at 150V DC) → PA-100
0.1mA or less (at 300V DC) → PA-200
btwn line & gnd : 0.1mA or less (at 300V DC)
- **Capacity Btwn Lines : 1μF**
- **Max, Line Voltage : 120V AC / 170VDC → PA-100**
250V AC / 350VDC → PA-200

CONNECTION DIAGRAM



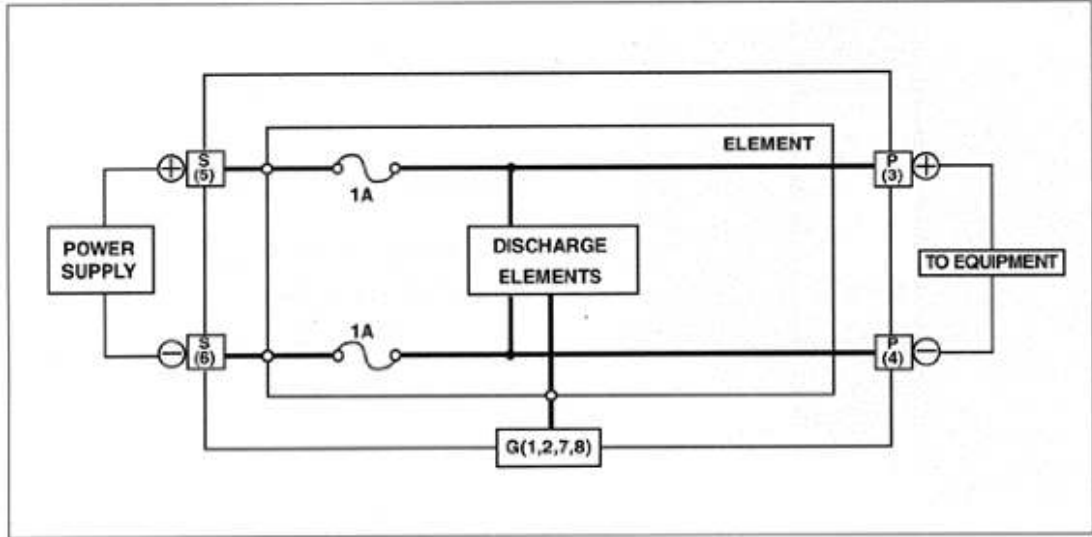
We provide your solutions

CDI-PA

STANDARD(AC/DC POWER LINE USE)ARRESTER CDI-PA



SCHEMATIC CIRCUIT & CONNECTION



TERMINAL ASSIGNMENT

