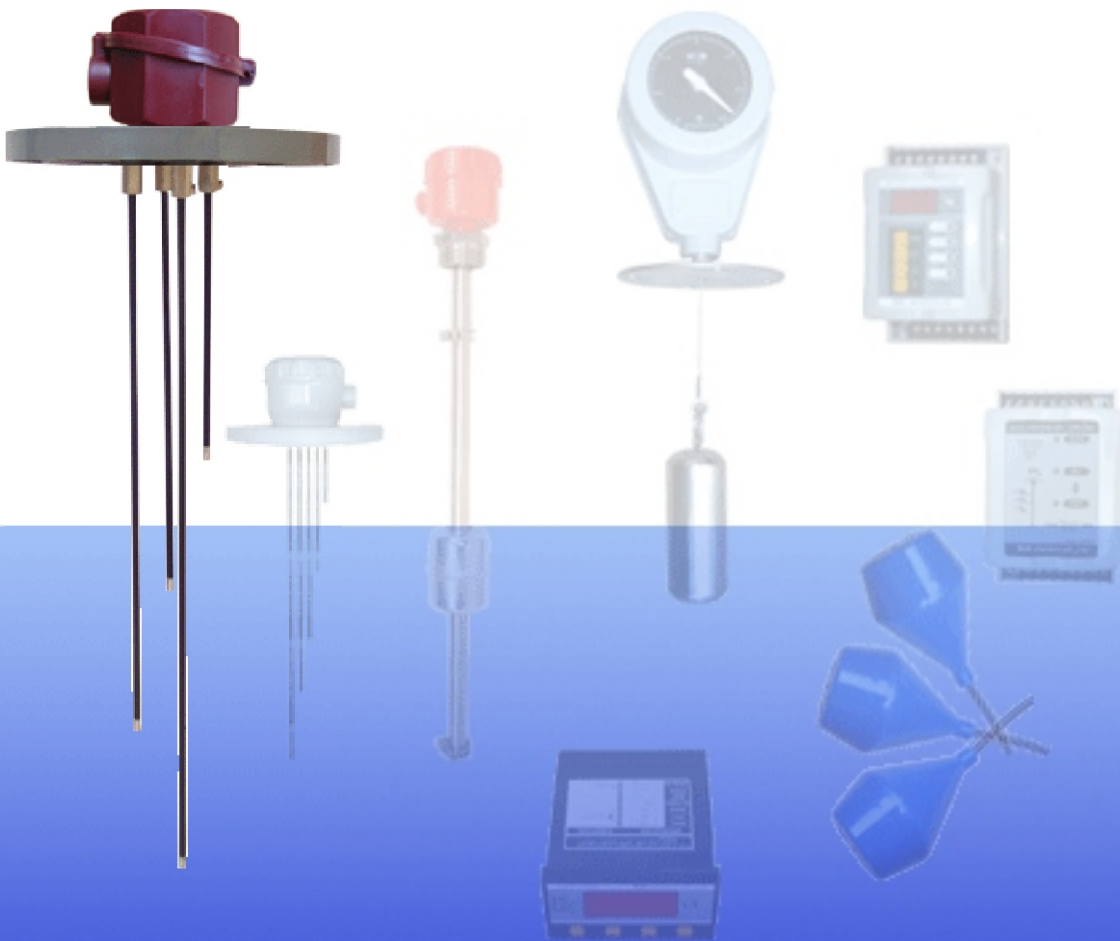


We provide your solutions

CDE-5S,4S,3S Electrode Type Level Switch



CDE SERIES



VARIOUS LEVEL SENSORS & CONTROLLERS FOR YOUR APPLICATIONS



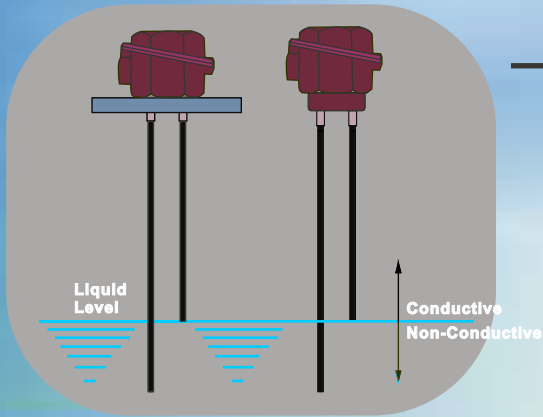
가 ()
470-8
: 02-6111-8989 FAX : 02-6111-8187
e-mail : cdi@cdikorea.com
Web : www.cdikorea.com

1104-1106

We provide your solutions



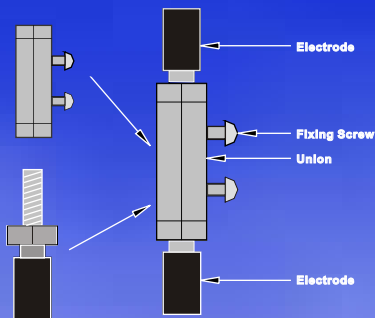
CDE-5S,4S,3S Electrode Type Level Switch



OPERATING PRINCIPLE

Electrodes of different lengths in the conductive liquid applied low voltage by controller. When the liquid level rises, electricity flows through the liquid between L0(Common) and other electrodes which is cut to desired control points. This electrical signal activates relay for control pump or alarm buzzers.

FEATURE & BENEFIT



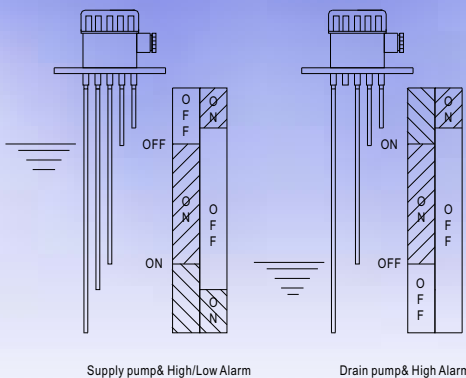
CDE electrode type level switch with appropriate controller mounted top of tank or vessel to detect high,low level points and pump control. According to selection of controller, supply or drain mode available. Various controllers can be applied to control pump and alarm mode. Standard electrode length is 2m, but using by union as show figure left, two electrodes can be joined.

FEATURE

- Standard electrode length 2m (extend by union more than 2m)
- Electrode material is SUS304 with insulating tube coating
- 2" screw or various sizes of flange mounting
- 2 wire type optionally available
- Weather-proof (IP65) enclosure (Head)
- With various level controllers, various contact mode available

BENEFIT

- Conductive liquid without suspended solid application
- Simple structure enable long life time without maintenance
- Easy installation
- Easy contact point adjustable by electrodes
- Very low cost



We provide your solutions

CDE-5S,4S,3S Electrode Type Level Switch



TECHNICAL SPECIFICATIONS

Operating condition

Measured Object
Liquid Temperature
Operating Pressure
Ambient Temperature
Electrode Length
Humidity
Avoid Gases
Mounting

Conductive Liquid
-5°C to +70°C
Max. 10kg/cm²(Flange)
-10°C to +60°C
2m or 1m
Max. 50% R.H.
NH₃, SO₂, Cl₂ etc (Corrosive Gas)
Top of Tank or Vessel (Open type)

Connection

Screw connection
Flange connection

2" NPT (on request)
JIS 10K 80A
JIS 10K 100A
Option : request size & ratings

Materials

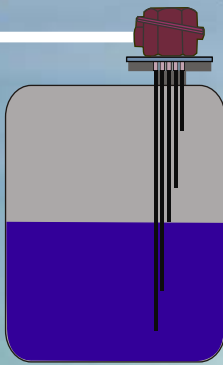
Housing(Head)
Screw
Flange
Electrode
Connector
Supporter

Polycarbonate
Polycarbonate
PVC
SUS304 with P.E Tubing
Brass + Nickel
PVC

Enclosure & Signals

Head (Terminal Box)
Cable
Glands

IP65 (Weather Proof)
CVV-SB
Thread PF1/2"



APPLICATIONS

BAS
Petrochemical
Food/Beverage
Wastewater/Sewage Water
Chemicals
Plastic
Power plants



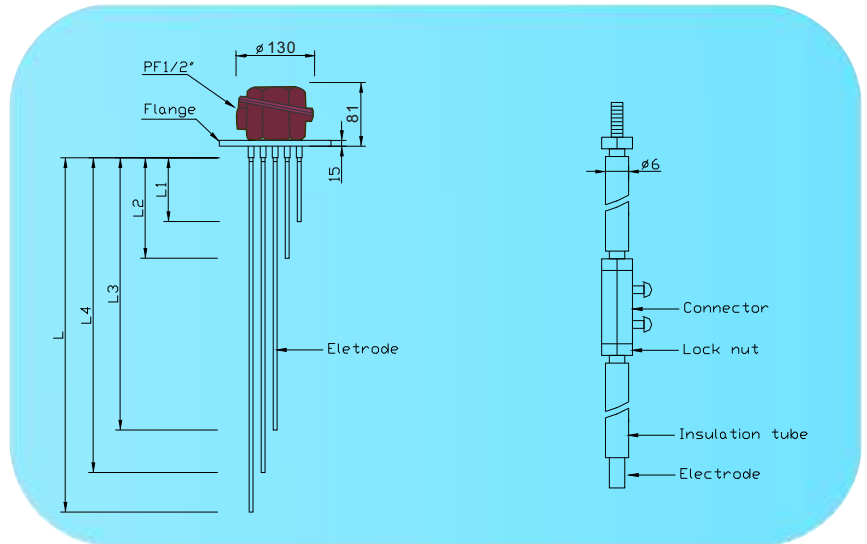
CDI-LCE5 : On&Off, H/A and L/A
CDI-LCE4 : On&Off, H/A or L/A
CDI-LCE3 : On&Off
CDI-2W5P: 2 wire type
CDI-2W2RM : 2 wire type
Step & rotation control (Drain Only)

We provide your solutions



CDE-5S,4S,3S Electrode Type Level Switch

DIMENSIONS



ORDERING CODE

Electrode Type Level Switch Model CDE

Sensor Type Selection

- 5 wire, 5 Electrodes
- 4 wire, 4 Electrodes
- 3 wire, 3 Electrodes
- 2 wire, 5 Electrodes
- 2 wire, 4 Electrodes
- 2 wire, 3 Electrodes

Connection (Flange or Screw Size)

- JIS 10K 80A
- JIS 10K 100A
- 2" Screw

Electrode Length & Contact Type

- Electrode length (2m Std.)

CDE-

- 5S
- 4S
- 3S
- 2W5S
- 2W4S
- 2W3S

- F3
- F4
- S2

2m

Ordering Code Example

CDE-5S-F4-2m