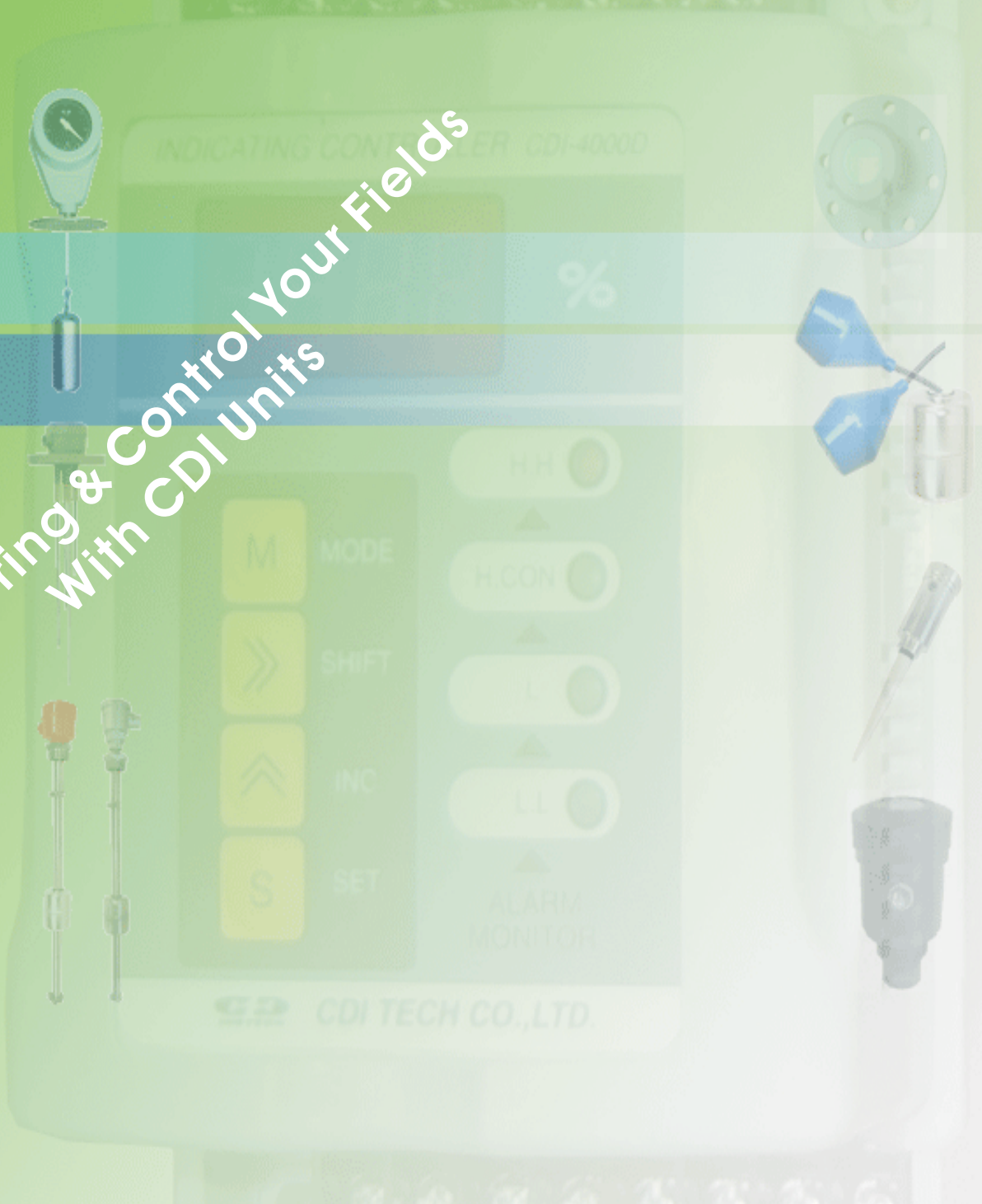


We provide your solutions

CDI LEVEL INDICATING CONTROLLERS



Monitoring & Control Your Fields
With CDI Units



Level Controllers



씨디아йте크(주)

서울시 금천구 가산동 470-8 케이씨씨웰츠빌리1104-1106호

전화 : 02-6111-8989 FAX : 02-6111-8187

e-mail : cdi@cdikorea.com

Web : www.cdikorea.com

We provide your solutions



CDI-4100

CDI LEVEL CONTROLLERS

CDI -4100



CDI-4100

LEVEL INDICATING CONTROLLERS

As a programmable micro processor based and high accurate A/D converter, various contact mode setting is available. So it can be ideal to use as an alarm setter and for the level control. Compatible with various type of 2 or 3 wire local transmitters and built in power supplier supplies DC 24V to the transmitters

SPECIFICATIONS

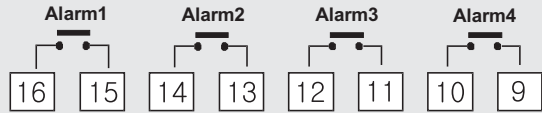
Model	CDI-4100	
Mounting	Wall mount	
Dimension	90(W)x129(H)x66(D)mm	
Housing	ABS Plastic	
Display	0.36" 7-segment 4-digit	
Display range	0-9999	
Operating Temp.	-5°C to +55°C	
Operating Humidity	90% RH max	
Alarm Parameter	PS-0 : Alarm None	
	PS-1 : L,On&Off, H (Supply)	
	PS-2 : L,On&Off,H (Drain)	
	PS-3 : LL, L,H, HH (Use alarm)	
	PS-4 : LL L H HH (ON When values over setting points)	
	PS-5 : LL L H HH (OFF When values over setting points)	
	PS-6 : LL,L,H,HH (Step by Step)	
Scale Free Set Range	0-9999	0-9999
Output	Relay contact	Relay contact (5A / 250VAC max)
Accuracy	0.15% of full scale	0.15% of full scale
Linearity	0.1% of full scale	0.1% of full scale
Power	AC110V/220V 50-60Hz	AC110V/220V 50-60Hz 6VA max
Dielectric Strength	2000VAC@1min	2000VAC@1min

We provide your solutions

CDI LEVEL CONTROLLERS

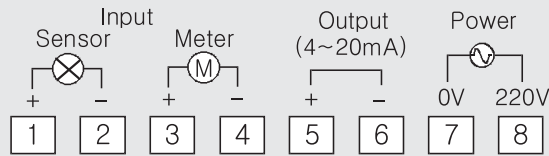
CDI -4100

WIRING



● 직렬 연결 Meter 있을 경우

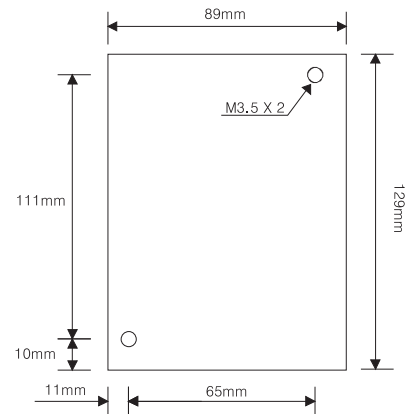
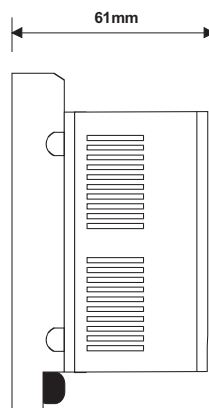
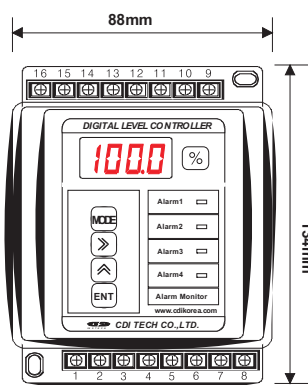
- 1: SENSOR(+)
- 2: SENSOR(-)
- 3: METER(+)
- 4: METER(-)



● 직렬 연결 Meter 없을 경우

- 1: SENSOR(+)
- 4: SENSOR(-)

DIMENSION & CUTOUT SIZE



ORDERING CODE

CDI-4100-□-□-□-□

Input Signal Code

- S : DC Signal (mA, mV, V)
- R : RTD Sensor (Pt 100외)
- P : Potentiometer (3-Wire)

Power Code

- A : AC110V / 220V
- D : DC24V (Option)

Output Signal Code

- S : DC Signal (mA, mV, V)
- N : None

Output Contact Code

- | | |
|-------------|-------------|
| P1 : 급수 제어 | P6 : 배수 2교번 |
| P2 : 배수 제어 | P7 : 배수 3교번 |
| P3 : 스탭점점 1 | P8 : 급수 3교번 |
| P4 : 스탭점점 2 | P9 : 급수 4교번 |
| P5 : 급수 2교번 | |