

| | |
|--------------------------|-------------------|
| MODEL | CDI - SIC3 |
| CDI TECH CO.,LTD. | |

SIGNAL ISOLATION 3 OUTPUT CONVERTER

● GENERAL SPECIFICATION

- Construction : Plug -in
- Wring : M3.5 Screw Terminal
- Isolation : Power to Input to Output1 to Output2 to Output3
- Adjustment : Zero & Span $\pm 20\%$ of full scale

● INPUT

DC VOLTAGE

- Range : $\pm 300V$ Max
- Resistance : 20K Min at $\pm 1V$
1M Min at $\pm 10V$

DC CURRENT

- Range : 50mA Max
- Resistance : 250 Max
- RTD SENSOR ; -200 600
- POTENTIOMETER ; 100 100K

● OUTPUT

- DC VOLTAGE : $\pm 12V$ Max
- Load Resistance

| Output | Resistance |
|------------|------------|
| 0 ~ 10mV | 1K or more |
| 0 ~ 100mV | 1K or more |
| 0 ~ 1V | 1K or more |
| 0 ~ 5V | 2K or more |
| 0 ~ 10V | 4K or more |
| -10V ~ 10V | 4K or more |

- DC CURRENT : 0 ~ 20mA
- Load Resistance

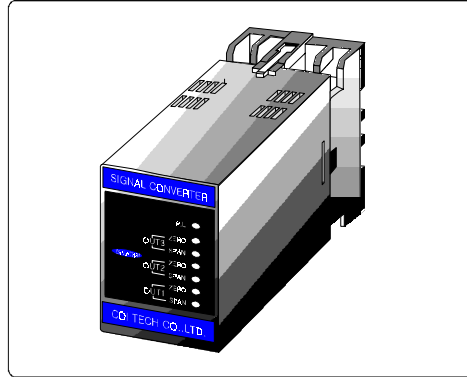
| Output | Resistance |
|----------|--------------|
| 0 ~ 1mA | 15K or less |
| 0 ~ 10mA | 1.5K or less |
| 0 ~ 20mA | 750 or less |
| 1 ~ 5mA | 3K or less |
| 4 ~ 20mA | 750 or less |

● INSTALLATION

- Operating temperature : -5 ~ 55
- Operating humidity : 90%RH Max
(none condensing)
- Power supply
 - AC : 110V or 220V/60Hz $\pm 10\%$, approx 3VA
 - DC : 18V ~ 30V $\pm 10\%$, approx 3VA
- Power selection : AC 110V/220V Switch
in the back plane
- Mounting : Wall or DIN rail

● PERFORMANCE

- Accuracy : $\pm 0.2\%$
- Temp'coefficient : $\pm 0.015/$
- Response time : 0.5 Sec or less(0~90%)
- Insulation resistance : 100M or more
with 500VDC(Input/Output/Power)
- Dielectric strength : 1500VAC at 1minute
(Input to Output to Power)



The converter CDI-SIC3 accepts an DC signal or other signal(RTD sensor,potentiometer), provides proportional isolated 3-DC outputs.

● ORDERING CODE SELECTION

MODEL: CDI-SIC3

INPUT

- 1 : DC Voltage
- 2 : DC Current
- 3 : RTD Sensor
- 4 : Potentiometer
- O : Other special spec.

OUTPUT 1

- | VOLTAGE | CURRENT |
|-------------------------|------------|
| 1 : 0~10mV | A : 0~1mA |
| 2 : 0~100mV | B : 0~10mA |
| 3 : 0~1V | C : 0~20mA |
| 4 : 0~5V | D : 1~5mA |
| 5 : 0~10V | E : 4~20mA |
| 6 : 1~5V | |
| 7 : -10~10V | |
| 0 : Other special spec. | |

OUTPUT 2

The codes are the same as Output1

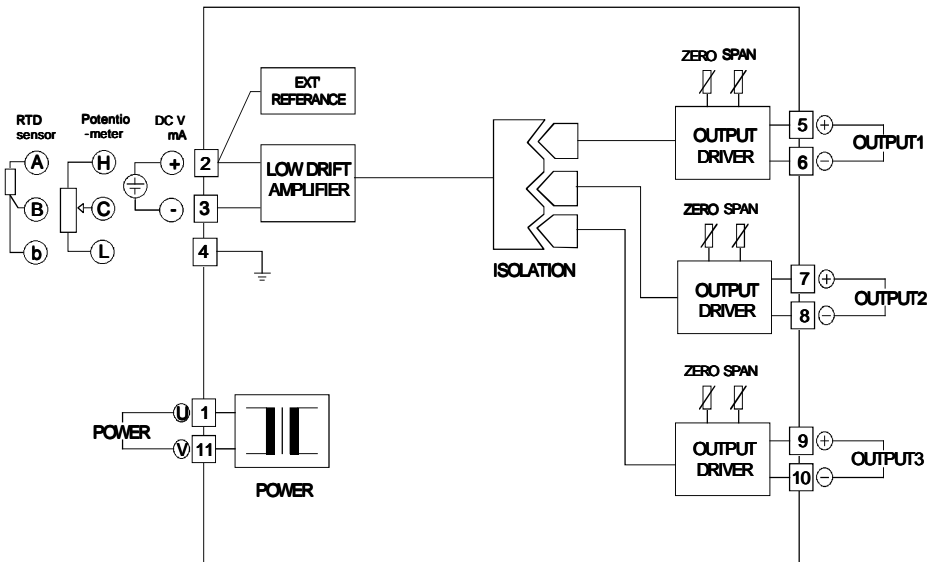
OUTPUT 3

The codes are the same as Output1

POWER

- X : AC 110V or 220V for 50/60Hz
- Y : DC 24V
- Z : Other special power

● **11 PIN CONNECTION DIAGRAM**



● **DEMENSION**

■ **11PIN**

