

DC SIGNAL SAMPLE HOLDER

● GENERAL SPECIFICATION

- Construction : Plug -in
- Wring : M3.5 Screw Terminal
- Isolation : Power to Input to Output1 to Output2
- Adjustment : Zero & Span ± 20%of full scale

● INPUT

DC VOLTAGE

- Range : ± 300V Max
- Resistance : 20K Min at ± 1V
1M MiN at ± 10V

DC CURRENT

- Range : 50mA Max
- Resistance : 250 Max

● OUTPUT

- DC VOLTAGE : ± 12V Max
- Load Resistance

| Output | Resistance |
|------------|------------|
| 0 ~ 10mV | 1K or more |
| 0 ~ 100mV | 1K or more |
| 0 ~ 1V | 1K or more |
| 0 ~ 5V | 2K or more |
| 0 ~ 10V | 4K or more |
| -10V ~ 10V | 4K or more |

- DC CURRENT : 0 ~ 20mA
- Load Resistance

| Output | Resistance |
|----------|--------------|
| 0 ~ 1mA | 15K or less |
| 0 ~ 10mA | 1.5K or less |
| 0 ~ 20mA | 750 or less |
| 1 ~ 5mA | 3K or less |
| 4 ~ 20mA | 750 or less |

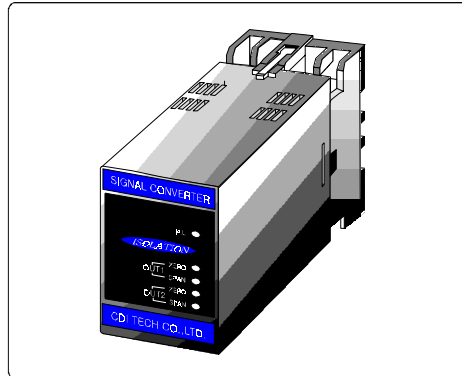
-Display range : -999~1999,3 1/2 digit
(available decimal point)

● INSTALLATION

- Operating temperature : -5 ~ 55
- Operating humidity : 90%RH Max
(none condensing)
- Power supply
AC : 110V or 220V/60Hz ± 10%,approx 3VA
DC : 18V ~ 30V ± 10%,approx 3VA
- Power selection : AC 110V/220V Switch
in the back plane
- Mounting : Wall or DIN rail

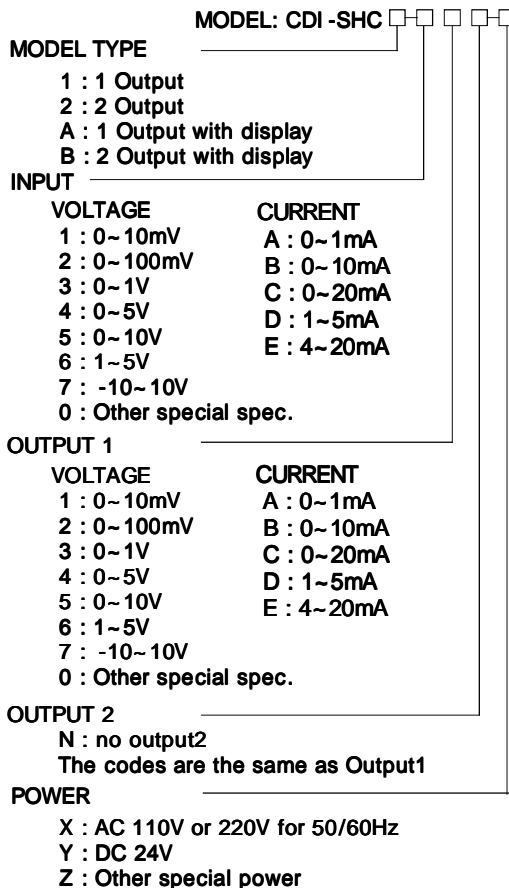
● PERFORMANCE

- Accuracy : ± 0.2%
- Temp'coefficient : ± 0.015/
- Response time : 0.5 Sec or less(0~90%)
- Insulation resistance : 100M or more
with 500VDC(Input/Output/Power)
- Dielectric strength : 1500VAC at 1minute
(Input to Output to Power)

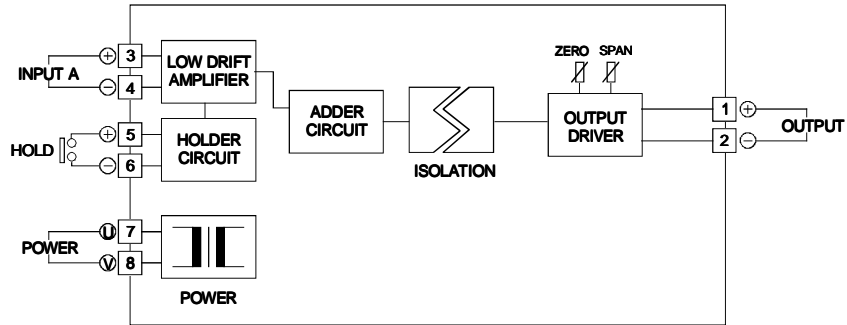


The converter CDI-SHC responds to a user's command(run or hold), and provides isolated proportional DC outputs.

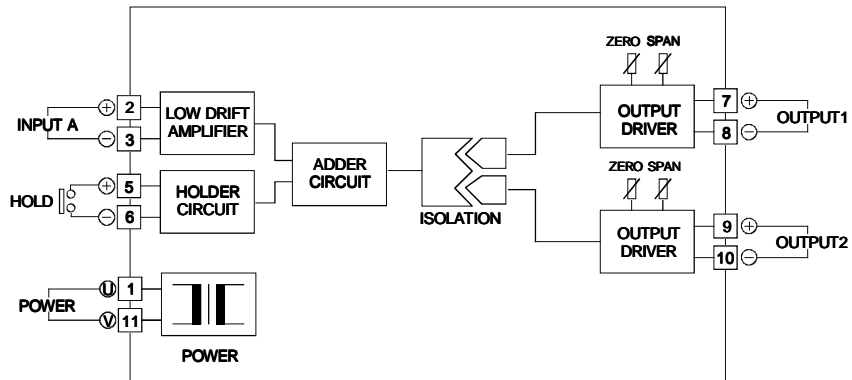
● ORDERING CODE SELECTION



● **8 PIN CONNECTION DIAGRAM**

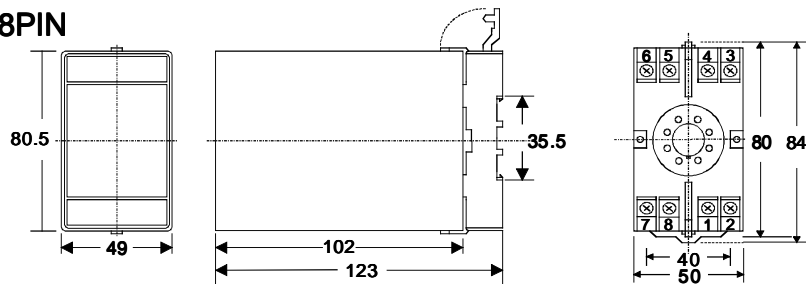


● **11 PIN CONNECTION DIAGRAM**



● **DEMENSION**

■ **8PIN**



■ **11PIN**

