


MODEL	CDI - PSC
 CDI TECH CO.,LTD.	

DC POWER SUPPLY CONVERTER

● **GENERAL SPECIFICATION**

- Construction : Plug -in
- Wring : M3.5 Screw Terminal
- Isolation : Power to Output1 to Output2

● **INPUT**

Input: none

● **OUTPUT**

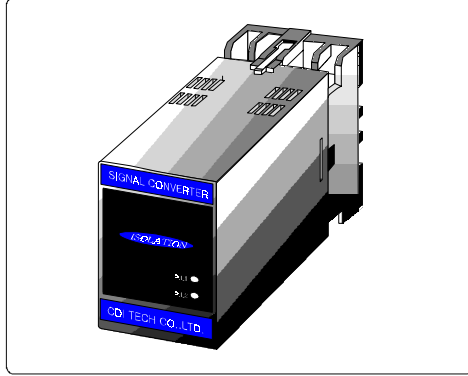
SUPPLY; DC24V/50mA
 SUPPLY; DC12V/100mA

● **INSTALLATION**

- Operating temperature : -5 ~ 55
- Operating humidity : 90%RH Max
(none condensing)
- Power supply
 - AC : 110V or 220V/60Hz ± 10%,approx 3VA
 - DC : 18V ~ 30V ± 10%,approx 3VA
- Power selection : AC 110V/220V Swich
in the back plane
- Mounting : Wall or DIN rail

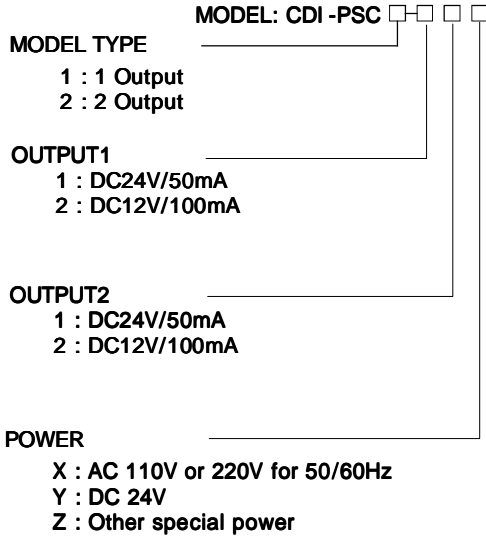
● **PERFORMANCE**

- Insulation resistance : 100M or more
with 500VDC(Output/Power)
- Dielectric strength : 1500VAC at 1minute
(Output to Power)



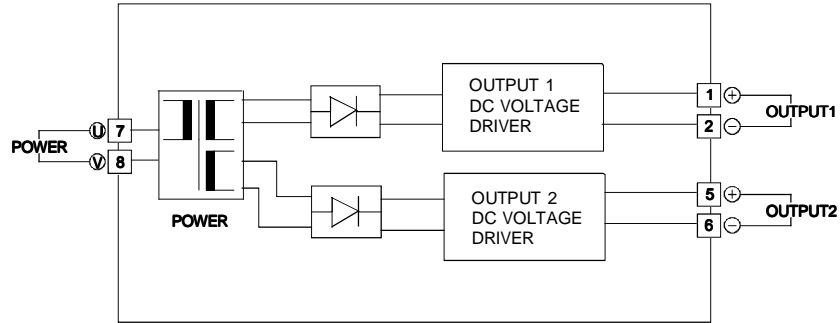
The converter CDI -PSC supplies power to 2wire single loop system.

● **ORDERING CODE SELECTION**

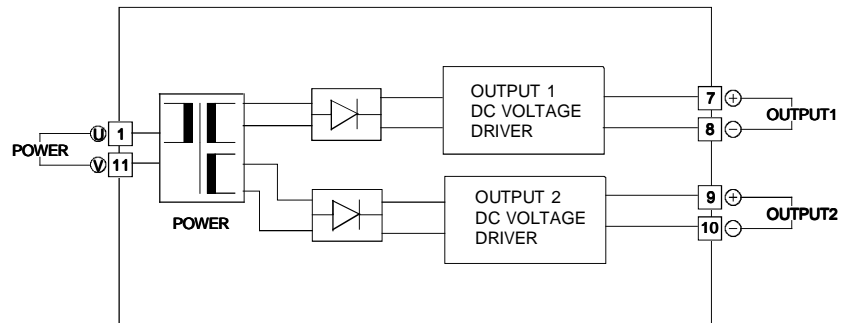


MODEL	CDI - PSC	DC POWER SUPPLY CONVERTER
 CDI TECH CO.,LTD.		

● **8 PIN CONNECTION DIAGRAM**

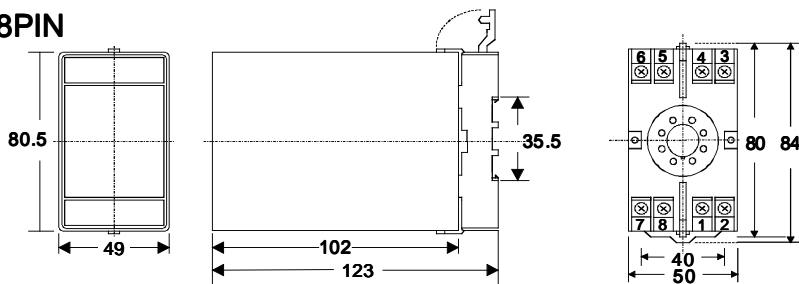


● **11 PIN CONNECTION DIAGRAM**



● **DEMENSION**

■ **8PIN**



■ **11PIN**

