

# DC SIGNAL HIGH SELECTOR

## ● GENERAL SPECIFICATION

- Construction : Plug -in
- Wring : M3.5 Screw Terminal
- Isolation : Power to Input to Output1 to Output2
- Adjustment : Zero & Span  $\pm 20\%$  of full scale

## ● INPUT

### DC VOLTAGE

- Range :  $\pm 300V$  Max
- Resistance : 20K Min at  $\pm 1V$   
1M MiN at  $\pm 10V$

### DC CURRENT

- Range : 50mA Max
- Resistance : 250 Max

## ● OUTPUT

- DC VOLTAGE :  $\pm 12V$  Max
- Load Resistance

Output	Resistance
0 ~ 10mV	1K or more
0 ~ 100mV	1K or more
0 ~ 1V	1K or more
0 ~ 5V	2K or more
0 ~ 10V	4K or more
-10V ~ 10V	4K or more

- DC CURRENT : 0 ~ 20mA
- Load Resistance

Output	Resistance
0 ~ 1mA	15K or less
0 ~ 10mA	1.5K or less
0 ~ 20mA	750 or less
1 ~ 5mA	3K or less
4 ~ 20mA	750 or less

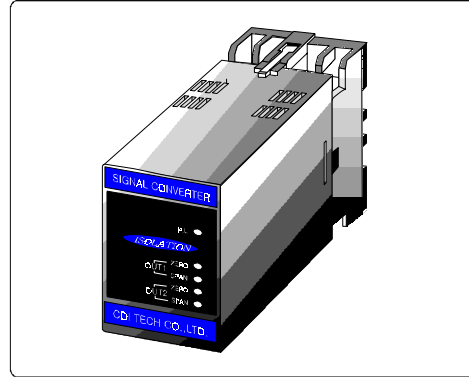
- Display range : -999~1999,3 1/2 digit  
(available decimal point)

## ● INSTALLATION

- Operating temperature : -5 ~ 55
- Operating humidity : 90%RH Max  
(none condensing)
- Power supply  
AC : 110V or 220V/60Hz  $\pm 10\%$ , approx 3VA  
DC : 18V ~ 30V  $\pm 10\%$ , approx 3VA
- Power selection : AC 110V/220V Switch  
in the back plane
- Mounting : Wall or DIN rail

## ● PERFORMANCE

- Accuracy :  $\pm 0.2\%$
- Temp'coefficient :  $\pm 0.015/$
- Response time : 0.5 Sec or less(0~90%)
- Insulation resistance : 100M or more  
with 500VDC(Input/Output/Power)
- Dielectric strength : 1500VAC at 1minute  
(Input to Output to Power)



The converter CDI-HSC accepts the higher value of two inputs(A & B) and provides isolated proportional DC signals.

## ● ORDERING CODE SELECTION

MODEL: CDI-HSC

MODEL TYPE

1 : 1 Output  
2 : 2 Output  
A : 1 Output with display  
B : 2 Output with display

INPUT

VOLTAGE	CURRENT
1 : 0~10mV	A : 0~1mA
2 : 0~100mV	B : 0~10mA
3 : 0~1V	C : 0~20mA
4 : 0~5V	D : 1~5mA
5 : 0~10V	E : 4~20mA
6 : 1~5V	
7 : -10~10V	
0 : Other special spec.	

OUTPUT 1

VOLTAGE	CURRENT
1 : 0~10mV	A : 0~1mA
2 : 0~100mV	B : 0~10mA
3 : 0~1V	C : 0~20mA
4 : 0~5V	D : 1~5mA
5 : 0~10V	E : 4~20mA
6 : 1~5V	
7 : -10~10V	
0 : Other special spec.	

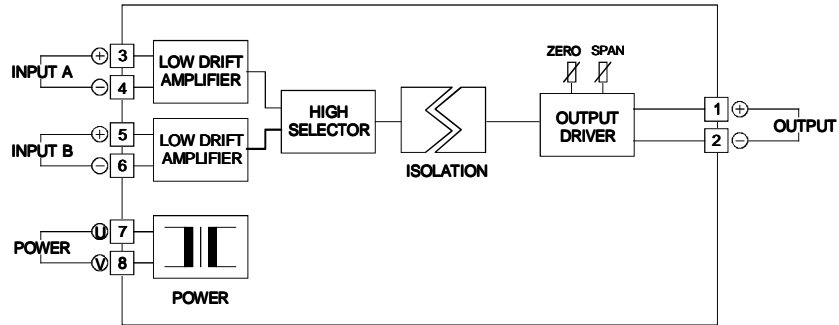
OUTPUT 2

N : no output2  
The codes are the same as Output1

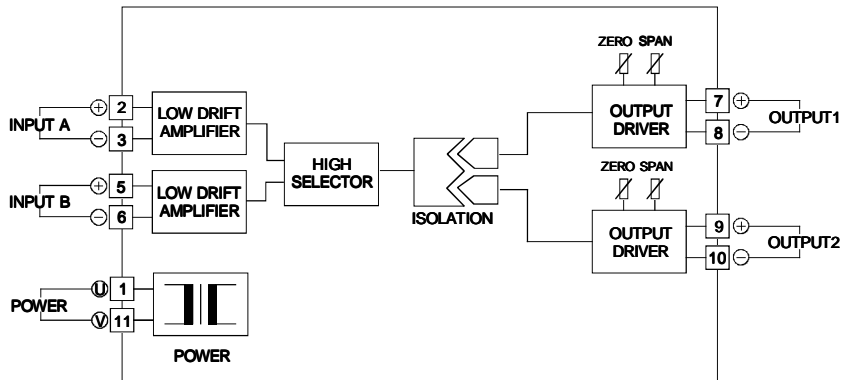
POWER

X : AC 110V or 220V for 50/60Hz  
Y : DC 24V  
Z : Other special power

● **8 PIN CONNECTION DIAGRAM**

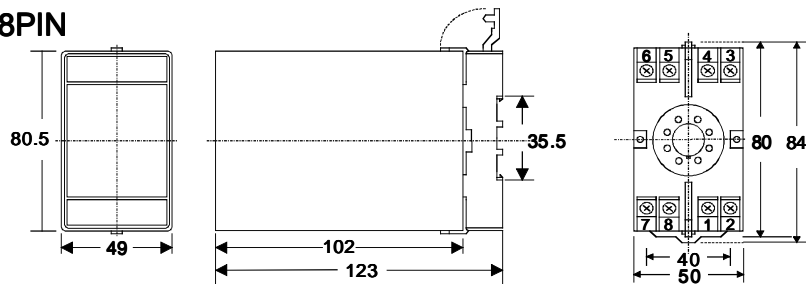


● **11 PIN CONNECTION DIAGRAM**



● **DEMENSION**

■ **8PIN**



■ **11PIN**

