


MODEL	CDI - DSC
 CDI TECH CO.,LTD.	

DC SIGNAL ISOLATION CONVERTER

● GENERAL SPECIFICATION

- Construction : Plug -in
- Wring : M3.5 Screw Terminal
- Isolation : Power to Input to Output1 to Output2
- Adjustment : Zero & Span $\pm 20\%$ of full scale

● INPUT

- DC VOLTAGE**
- Range : $\pm 300V$ Max
 - Resistance : 20K Min at $\pm 1V$
1M Min at $\pm 10V$

- DC CURRENT**
- Range : 50mA Max
 - Resistance : 250 Max

● OUTPUT

- DC VOLTAGE : $\pm 12V$ Max
- Load Resistance

Output	Resistance
0 ~ 10mV	1K or more
0 ~ 100mV	1K or more
0 ~ 1V	1K or more
0 ~ 5V	2K or more
0 ~ 10V	4K or more
-10V ~ 10V	4K or more

- DC CURRENT : 0 ~ 20mA
- Load Resistance

Output	Resistance
0 ~ 1mA	15K or less
0 ~ 10mA	1.5K or less
0 ~ 20mA	750 or less
1 ~ 5mA	3K or less
4 ~ 20mA	750 or less

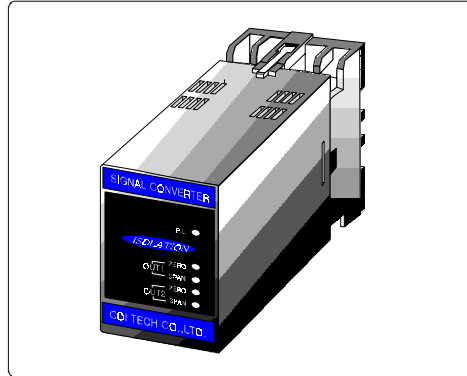
- Display range : -999~1999, 3 1/2 digit (available decimal point)

● INSTALLATION

- Operating temperature : -5 ~ 55
- Operating humidity : 90%RH Max (none condensing)
- Power supply
 - AC : 110V or 220V/60Hz $\pm 10\%$, approx 3VA
 - DC : 18V ~ 30V $\pm 10\%$, approx 3VA
- Power selection : AC 110V/220V Switch in the back plane
- Mounting : Wall or DIN rail

● PERFORMANCE

- Accuracy : $\pm 0.1\%$
- Temp' coefficient : $\pm 0.015/$
- Response time : 0.5 Sec or less(0~90%)
- Insulation resistance : 100M or more with 500VDC(Input/Output/Power)
- Dielectric strength : 1500VAC at 1minute (Input to Output to Power)



The model CDI-DSC is an DC signal isolation converter that provides isolated proportional DC outputs.

● ORDERING CODE SELECTION

MODEL: CDI-DSC

MODEL TYPE

- 1 : 1 Output
- 2 : 2 Output
- A : 1 Output with display
- B : 2 Output with display

INPUT

VOLTAGE	CURRENT
1 : 0~10mV	A : 0~1mA
2 : 0~100mV	B : 0~10mA
3 : 0~1V	C : 0~20mA
4 : 0~5V	D : 1~5mA
5 : 0~10V	E : 4~20mA
6 : 1~5V	
7 : -10~10V	
0 : Other special spec.	

OUTPUT 1

VOLTAGE	CURRENT
1 : 0~10mV	A : 0~1mA
2 : 0~100mV	B : 0~10mA
3 : 0~1V	C : 0~20mA
4 : 0~5V	D : 1~5mA
5 : 0~10V	E : 4~20mA
6 : 1~5V	
7 : -10~10V	
0 : Other special spec.	

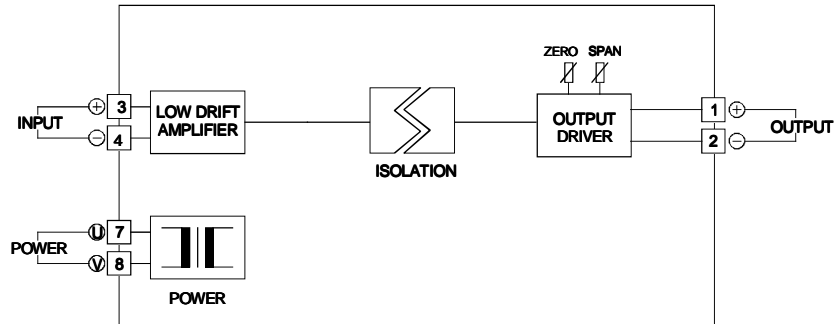
OUTPUT 2

N : no output2
The codes are the same as Output1

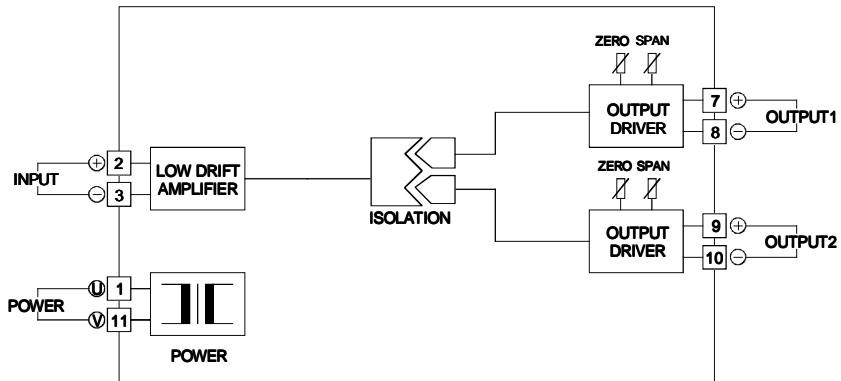
POWER

- X : AC 110V or 220V for 50/60Hz
- Y : DC 24V
- Z : Other special power

● 8 PIN CONNECTION DIAGRAM

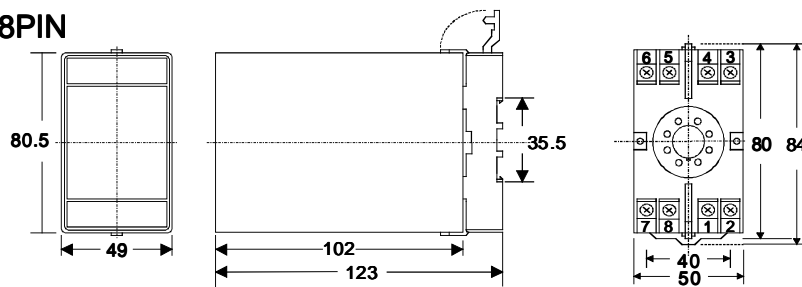


● 11 PIN CONNECTION DIAGRAM



● DEMENSION

■ 8PIN



■ 11PIN

